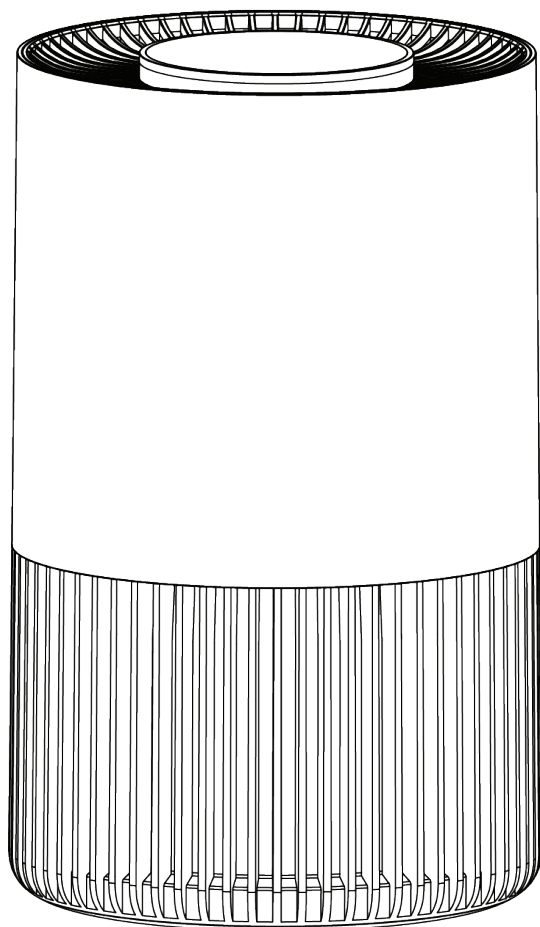


ABLE

Air Purifier



Use and care instructions

AP-S0620L

Thankyou for purchasing the ABLE Healthcare Air Purifier.

PLEASE READ AND SAVE THESE INSTRUCTIONS



Intended Use

The air we breathe contains many particles, including substances that could be detrimental to our health. The ABLE Air Purifier features High-Efficiency Particulate Air Filtration (HEPA) technology, capable of cleaning 99.99% of harmful particles suspended in the air. Clean air quality has substantial health benefits and is essential for healthy lungs. Designed for home and personal use, for rooms up to 26m².

WARNINGS



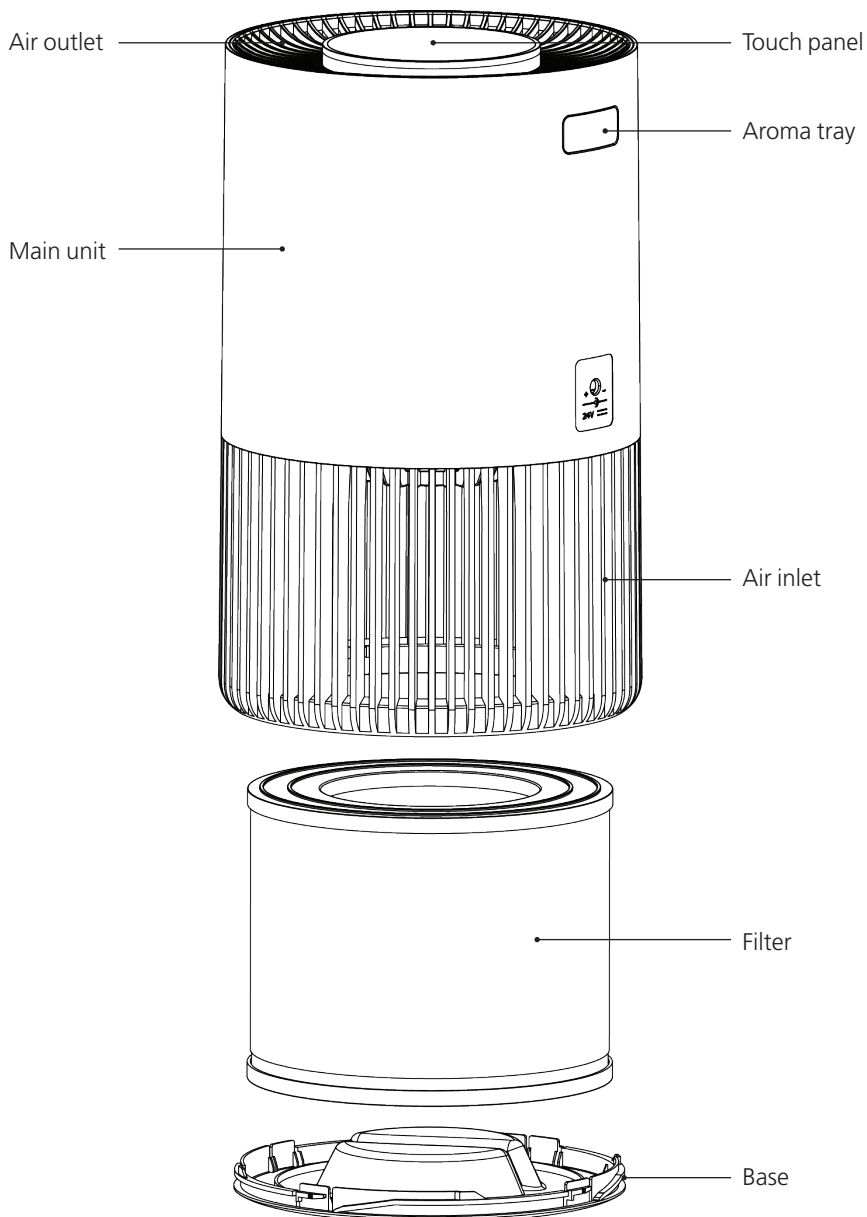
Failure to comply with the warnings listed below may result in electric shock or serious injury.

This product should only be used in accordance with the specifications outlined in this manual. Usage other than what has been specified here may result in serious injury.

1. The product is not to be used by persons (including children) with reduced physical, sensory or mental capabilities, or lack of experience and knowledge, unless they have been given supervision or instruction (IEC).
2. Keep the product and its components out of reach of children.
3. When using electrical appliances, basic precautions should always be followed to reduce the risk of fire, electric shock and injury to persons, including the following:
 - Read all instructions before using the appliance.
 - Only use in a 220V-240V wall outlet to avoid overheating.
 - Keep the power cord out of heavy traffic areas. NEVER put the power cord under rugs, or near radiators, stoves or heaters.
 - To protect against electrical hazards, DO NOT immerse in water or other liquids. Do not use near water.
 - Always unplug the air purifier before moving it, opening the grill, changing filters, cleaning or whenever the air purifier is not in use. Be sure to pull by the plug and not the power cord.
 - DO NOT drop or insert any object into any openings of the product.
 - DO NOT operate this product with a damaged power cord or plug, if the motor fan fails to rotate, after the appliance malfunctions, or if it has been dropped or damaged in any manner. Contact sales@ablehealth.com.au for assistance.
 - Use appliance only for intended household use as described in this manual. Any other use not recommended by the manufacturer may cause injury to a person.
 - DO NOT use outdoors.

- DO NOT place anything on top of the unit.
- NEVER block the air openings, grills/outlets or place on a soft surface such as a bed or sofa, as this could cause the unit to tip over, blocking the air inlet or outlet opening.
- DO NOT attempt to repair or adjust any electrical or mechanical functions on this unit. Doing so will void your warranty. The inside of the unit contains no user serviceable parts. All servicing should be performed by a qualified person only.
- Only use original supplied power adaptor.

Product structure



Features

- 3 in 1 Filtration System
- HEPA Filtration (H13)
- Suitable for desktops and rooms (up to 26m²)
- Removes odours, dust, pollen, smoke, bacteria
- Night Light
- 3 Fan Speeds – Low, Medium, High
- Timer – 2, 4 or 8 hours
- Touch Panel
- Aromatherapy Function
- Filter Replacement Reminder

Air cleaning system

Improve your indoor air quality with multiple air cleaning systems:

Pre-filter: Captures initial large particles and dust.

HEPA filter: Captures dust, smoke, pollen and other allergens.

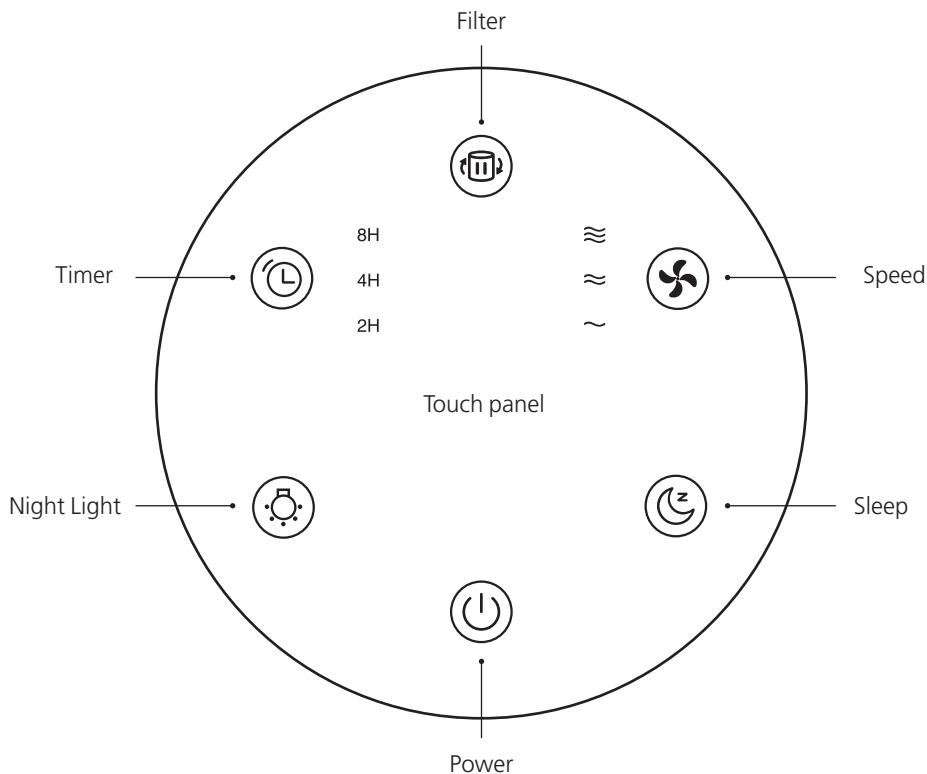
Carbon filter: Eliminates odours and bad smells.

Operating instructions

Before operating the Air Purifier

1. Carefully lift your air purifier from box and remove the two plastic bags for wrapping unit and filter.
2. Select a firm, level and flat location for the air purifier.
 - For proper air flow, locate the unit at least 30cm from any wall or furniture.
 - Make sure none of the *Air outlet* or *Air inlet* grills are blocked.
3. Plug the supplied power adaptor into a correct voltage AC outlet.

Operating the air purifier



Power button

Press this button to turn on / off the unit.



Sleep button

Press this button to enter or exit **Sleep mode**. Under *Sleep mode*, all lights (except *Sleep*) will turn off and the unit will be working at *Sleep speed*.

Press the **Sleep** button again or any button to quit *Sleep mode*.



Speed button

Press the button each time to select **I (Low)**, **II (Medium)** and **III (High)** speed.



Timer button

Press this button to cycle through the timer options.

The purifier can be timed to operate for **2**, **4** or **8** hours.



Night Light button

Press this button to turn on / off **Night Light mode**.



Filter Reset button

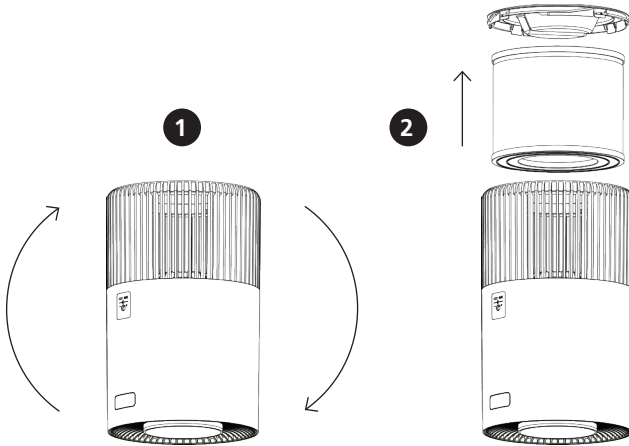
After operating for 4,320 hours, the **Filter Reset** light will turn red, indicating the filter needs to be replaced (see next page). After replacing the filters, press this button for 3 seconds to reset the indicator light, and restart the *Filter Reset* timer.

Important note: When the unit is not in use, please switch it off and unplug it.

Installing and removing filters

Filter replacement indicator

The **Filter Reset** icon lighting up indicates it is time to replace the filter. Follow the instructions below to change filter and reset the program.



1. Turn the machine upside down.
2. Take off the screw cap and base cover.
3. Take out the dirty filter and place the new filter into the unit.
4. Reattach the base to the unit and fasten it by the screw cap.
5. Enter the sub menu to reset the filter.
6. Replacement filters can be purchased from ablehealth.com.au.

Troubleshooting guide

Before carrying out any of the following service checks, unplug the unit from the mains.

Insufficient air flow	Check that the filters are clean. Check for any obstructions in the air inlet and outlet.
------------------------------	--

Unit will not start	Check the power adapter. Check that the bottom cover is latched firmly in place. Check that the filter is firmly in place.
----------------------------	--

Excessive noise	Check for any foreign objects in contact with the fan. The filter may be clogged and ready for replacement.
------------------------	--

Technical data

Product Name	Air Purifier
Model Number	AP-S0620L
Power	12W \pm 20%
Input	AC220–240V/50Hz
Coverage Area	26m ²
CADR	102m ³ /h
Purification System	3 in 1 Filter – Pre-filter, H13 Anti-bacterial HEPA, Carbon
Noise	26dB–46dB
Dimensions of unit	175mm * 175mm * 280mm
Net Weight for unit	2.83kg \pm 5%

Warranty

We guarantee the unit to be free from defects in material or workmanship for a period of two (2) years from the date of purchase.

Conditions of Warranty

The warranty covers technical problems only. Misuse of the unit or failure to comply with the Instruction Manual resulting in the unit not operating, will not be covered under this warranty. Proof of purchase must accompany all claims, failure to produce proof of purchase will void the warranty. This warranty is for Australian and New Zealand customers only. This warranty is not extended to customers outside of Australia/New Zealand.

Our goods come with guarantees that cannot be excluded under the Australian Consumer Law. You are entitled to a replacement or refund for a major failure and compensation for any other reasonably foreseeable loss or damage. You are also entitled to have the goods repaired or replaced if the goods fail to be of acceptable quality and the failure does not amount to a major failure.

Register your product warranty at [ablehealth.com.au/warranty](https://www.ablehealth.com.au/warranty)



WyMedical Pty Ltd
466 Fullarton Road
Myrtle Bank SA 5064
sales@ablehealth.com.au
ablehealth.com.au

 Comefresh (Xiamen) Electronic Co., Ltd
No.35, Xiangyue Road, Torch High-tech Industrial Zone
(Xiang'an), Xiamen, China
Tel: +86 158 6059 5042 comefresh.com.hk

